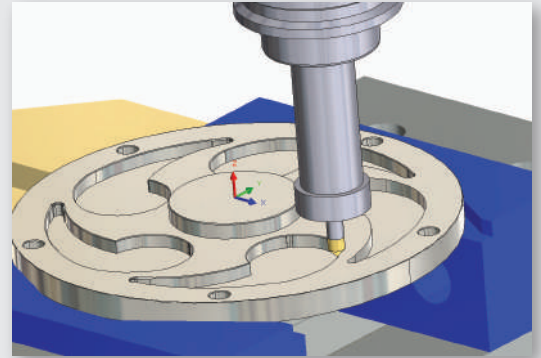


# WHAT'S NEW IN CAMWORKS 2020



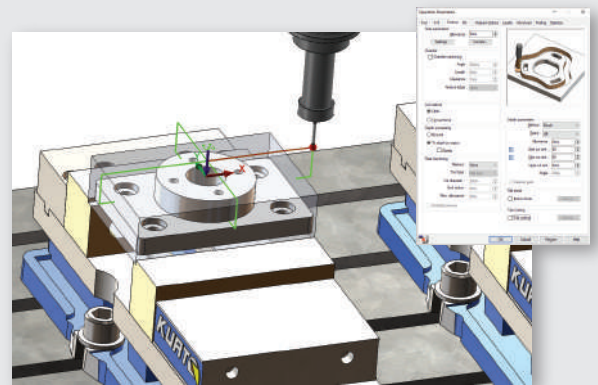
## Automatic Chamfering/Deburring

- Automatic feature recognition of sharp corners and part edges for auto-curve feature creation
- Automatically generate operations to chamfer/deburr the sharp edges on the part
- Create the toolpaths for chamfering and deburring at the push of a button!



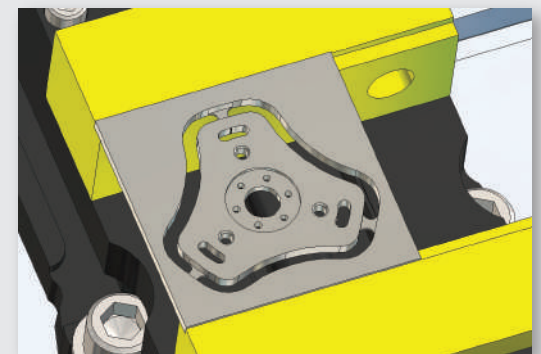
## Probing Tools and Operations

- Define probing tools with new parameters for probe shank and stylus
- Automatic selection of standard probing cycle based on face/feature selection
- Dynamic display of probing toolpath to avoid collisions and broken probes
- Probe stock and set work offsets automatically!
- Support for standard probing cycles!



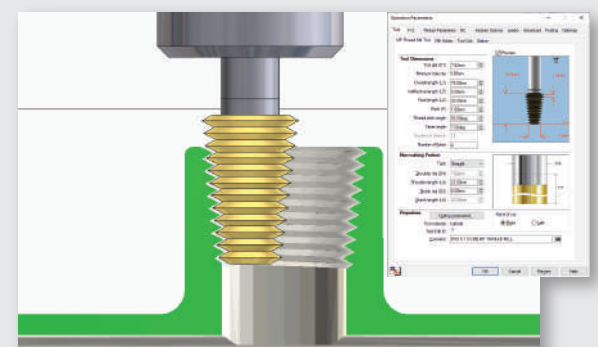
## Automatic Tab Machining

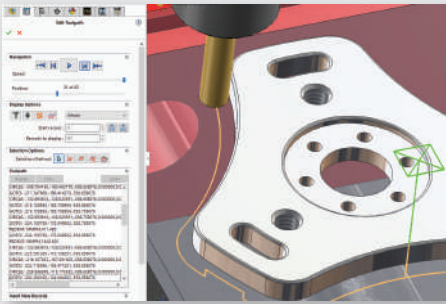
- Define tabs using a powerful new set of tools
- Input the desired number of tabs, width, and thickness for automatic tab machining
- Tabs are equally spaced or can be precisely located using distance and/or offsets
- Multiple options for lead-in/out and ability to specify minimum segment and arc radius



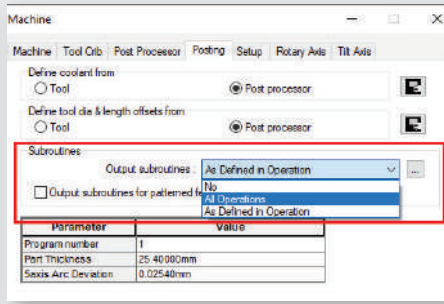
## Tapered Multi-Point Thread Milling

- Create tapered multi-point thread mills using new parameters including taper angle and length
- New toolpath creation support for tapered thread mills
- Multiple options for lead-in/out and ability to specify minimum segment and arc radius

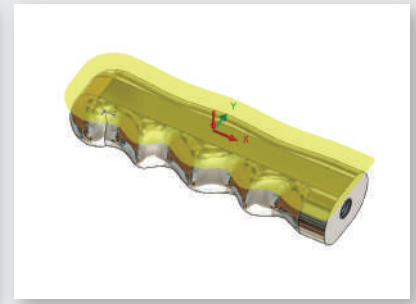




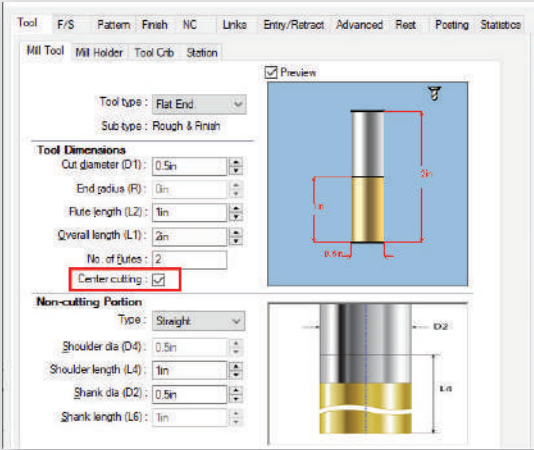
Improved Advanced Edit Toolpath



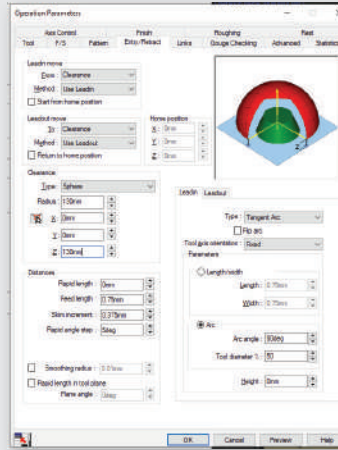
Output Sub-Routines in G-Code



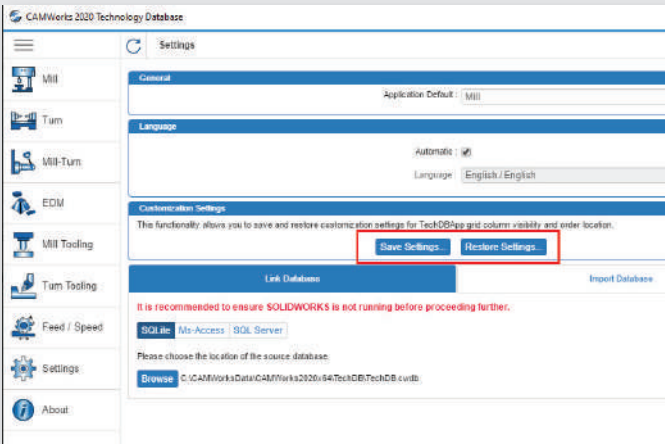
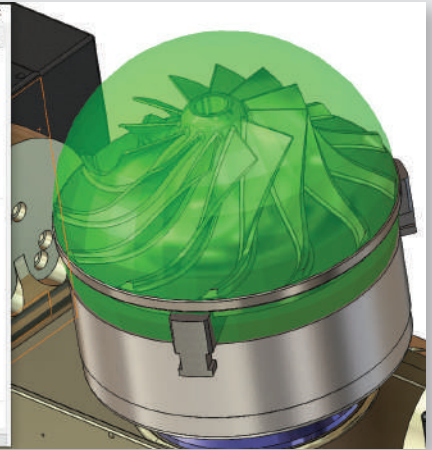
Automatic Contain Area Display



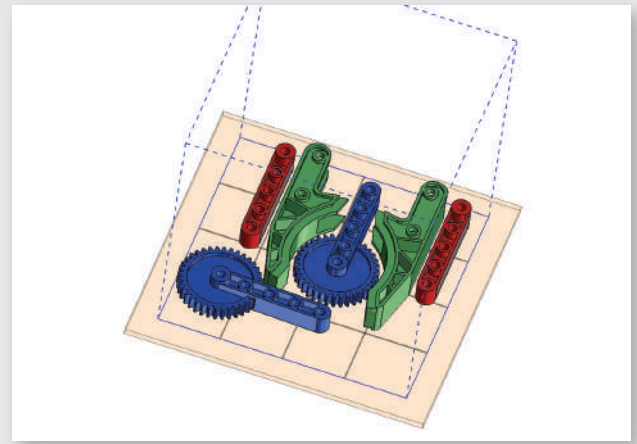
Center Cutting Tool Recognition



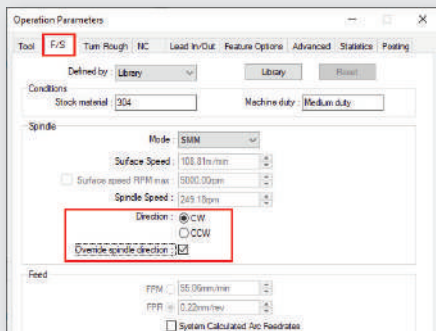
Multi-Axis Clearance Area Display



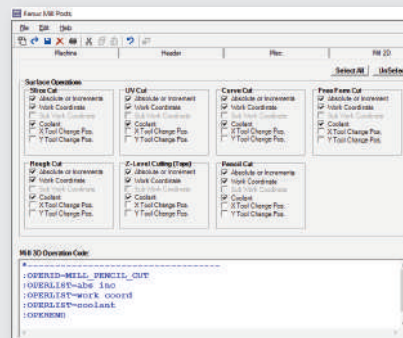
Save and Restore Custom Settings



CAMWorks Additive Manufacturing 3D Printing of Assemblies



Turning - Automatic Spindle Direction Based on Hand-of-Cut



New 2nd Generation Universal Post Generator

And More!



About CAMWorks:

CAMWorks the next generation best-in-class CNC programming solution that enables users to program smarter and machine faster was originally introduced in 1997. This state-of-the-art solids CAM product is designed for product-oriented manufacturing companies, and is available for machining centers, turning, mill/turn, and wire EDM applications. CAMWorks® with Machining Intelligence is the most advanced CAM programming software available for getting products to market faster, more efficiently, and within budget.

For more information: [www.camworks.com](http://www.camworks.com)